

Patent no EP 0527766, GB 2263932 and other Patents pending
Design Reg. No 000108964 (EU), 77588 (NO)

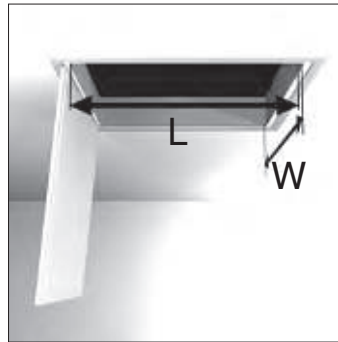
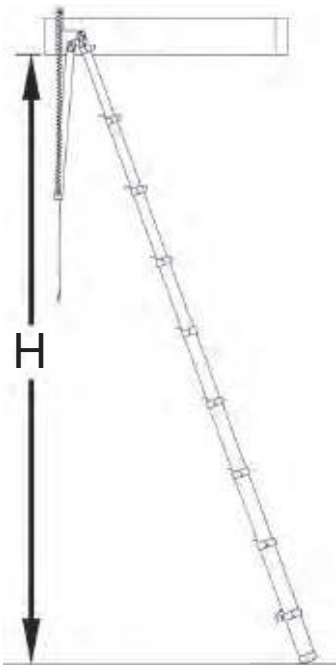
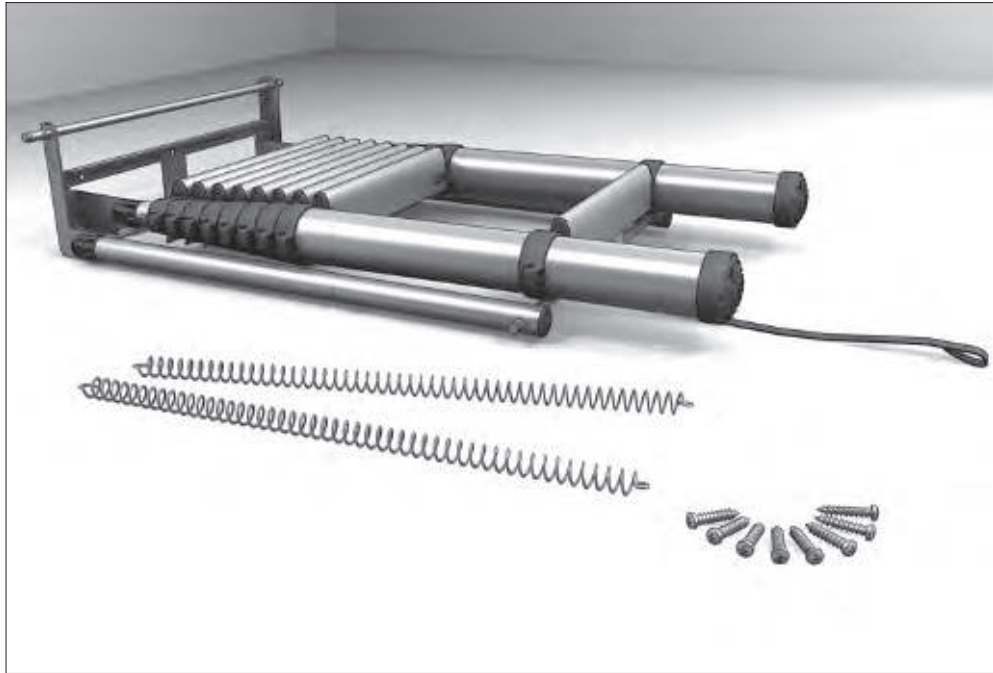
Telesteps AB
Box 362
SE-573 24 TRANÅS
SWEDEN

www.telesteps.com

100-1550-01

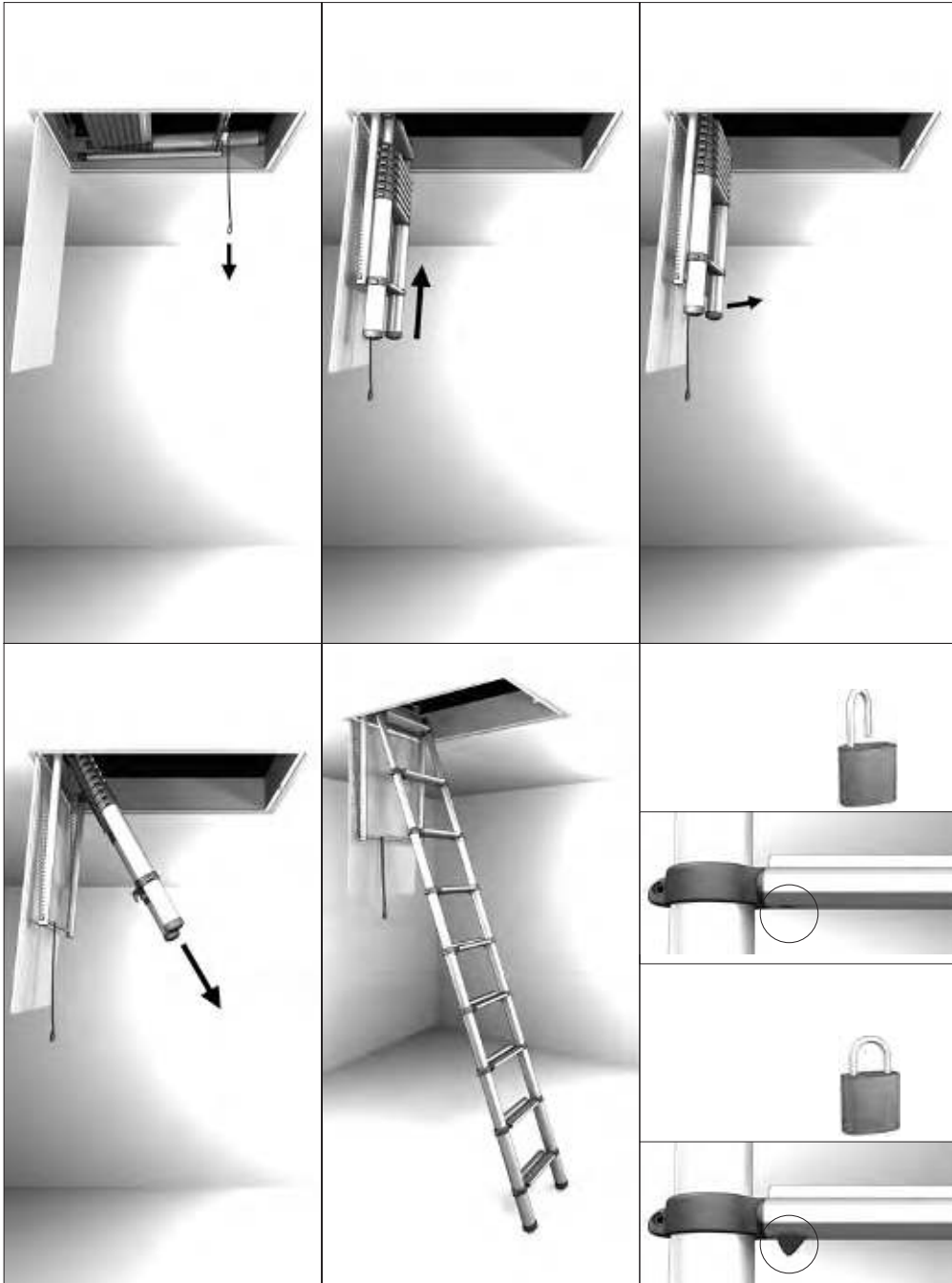


Copyright © Telesteps AB 2017

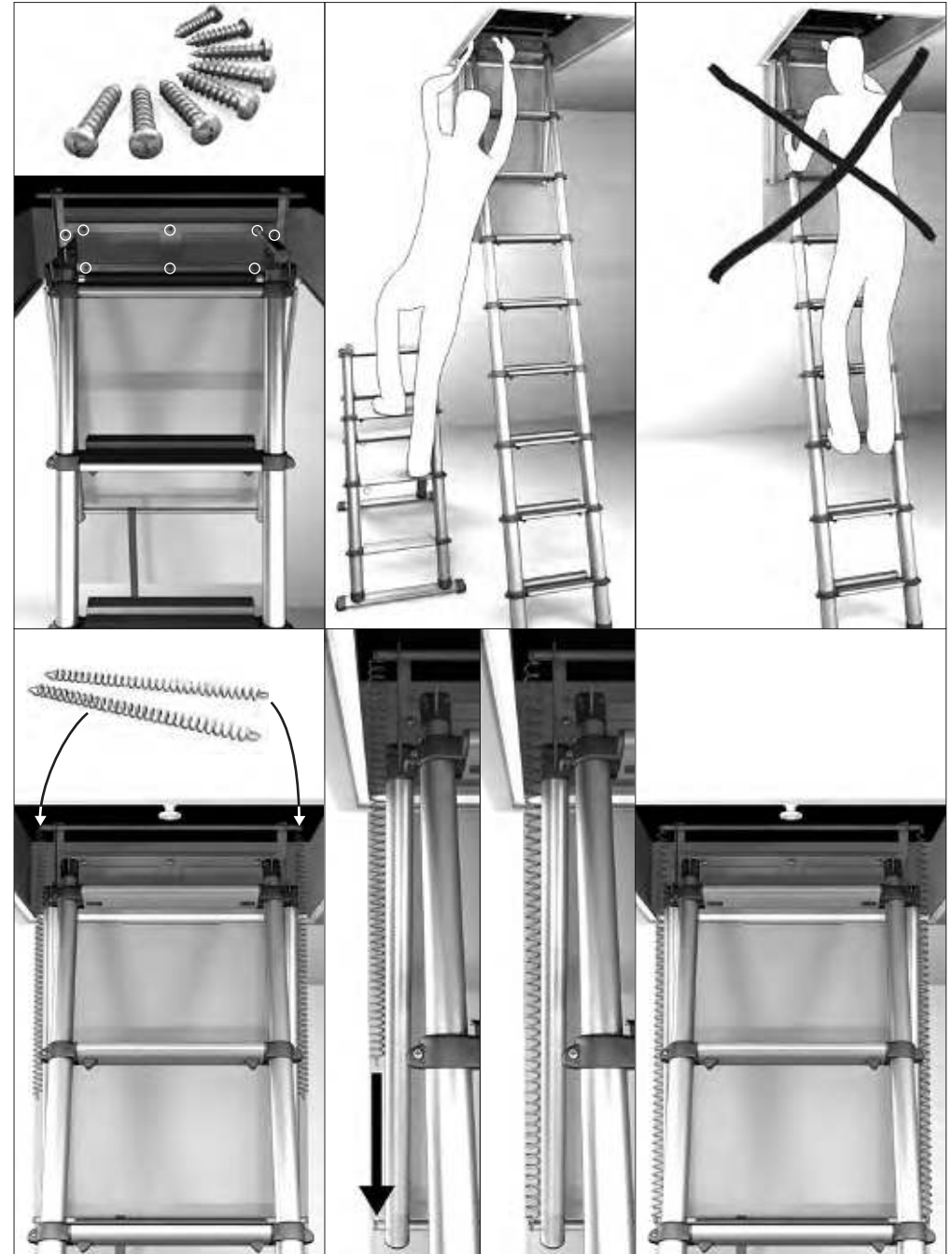


H = 2,52 - 3,00 m
L = Min 920 - 1 100 mm
W = Min 520 mm

Fälla ut / Open



Montering / Assembly



Fälla ihop / Close

